

Fokus850

High-resolution surveillance camera



Product overview

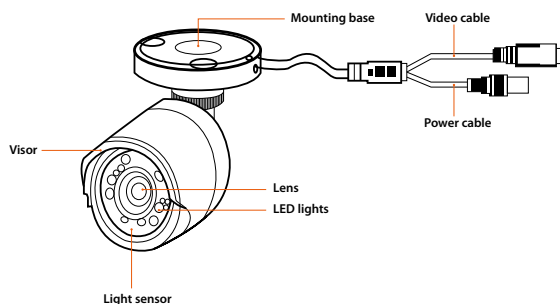
Nexxt Security's Fokus850 series introduces the NSC-D850ACO high resolution 850TVL outdoor bullet camera. The camera comes equipped with a 1/3-inch CMOS image sensor along with auto gain control and backlight compensation to help capture a vivid and well detailed images with corrected color balance due to over illumination and sunshine. A set of infrared LED's assist with night time monitoring making this a true day and night camera. An all metal shell makes this a camera the perfect solution to be used in rugged and professional applications. It is simple to install with its quick power and BNC video connections.



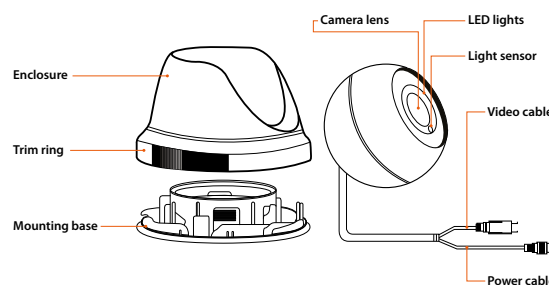
Product features

- 1/3-inch CMOS image sensor
- 850TVL
- IP66 outdoor weatherproof rating
- Bullet camera
- Automatic Gain Control (AGC)
- BLC (Back Light Compensation)
- 20m night vision
- 24 infrared LEDs
- ICR (Infrared Cut Filter)
- Day and night auto switch

Bullet camera components



Dome camera components



Fokus850

High-resolution
surveillance bullet camera



NSC-B850ACO/NSC-D850ACO

www.nexxtsolutions.com

Technical specifications

Camera		
MPN	NSC-B850ACO	NSC-D850ACO
Image sensor	1/3- inch CMOS	
Lens	3.6mm	
Weatherproof rating	IP66	
IR LED quantity	24	
Minimum illumination	0.1 lux @ (F1.2, AGC ON) / 0 lux with IR	
Night vision range	20m	
IR cut filter	IR cut filter with auto switch	
Shutter speed	1/60s to 1/100,000s	
Scan system	1:1 interface	
Video output	BNC	
Material	Metal	
Dimensions	Φ2.76×5.91in	Φ3.54×2.76in
Weight	0.66lb	0.55lb
Video/Image		
Horizontal resolution	850TVL	
Video format	NTSC	
Effective number of pixels	1020(H) x 596(V)	
Video output	1Vpp BNC	
Viewing angle	68.4°	
Additional information		
Certifications	FCC	
Power supply	12 VDC	
Power consumption	1.8W (Max 4W with IR cut filter on)	
Warranty	3 years	