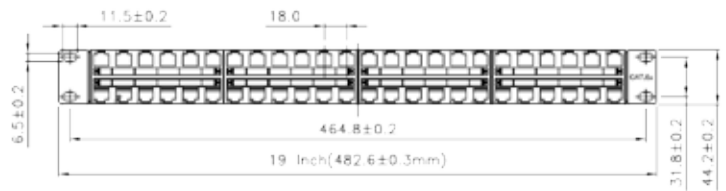
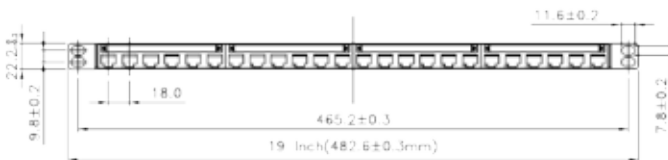
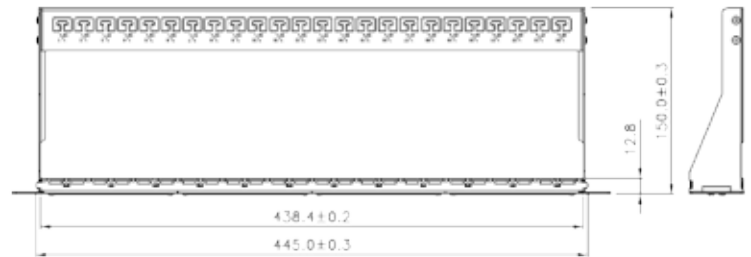
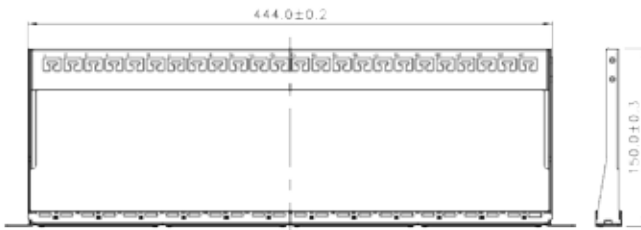
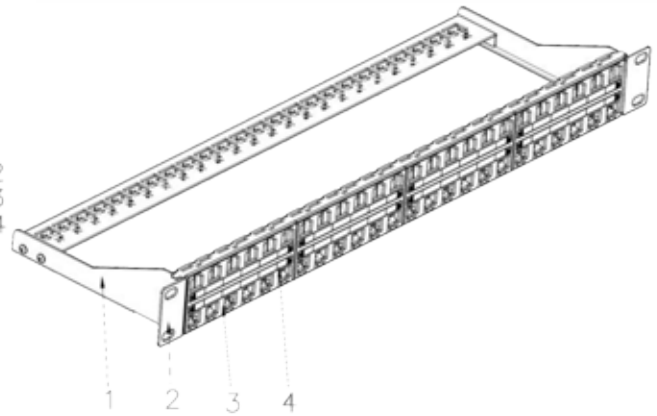
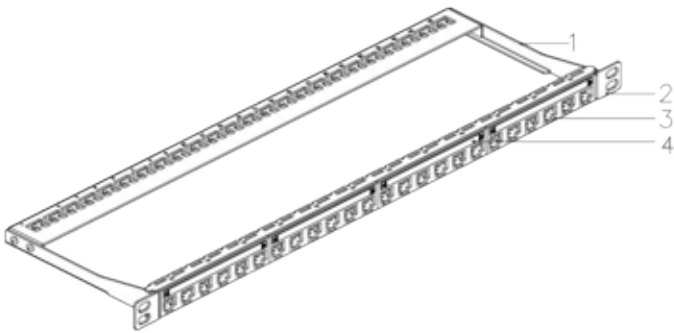
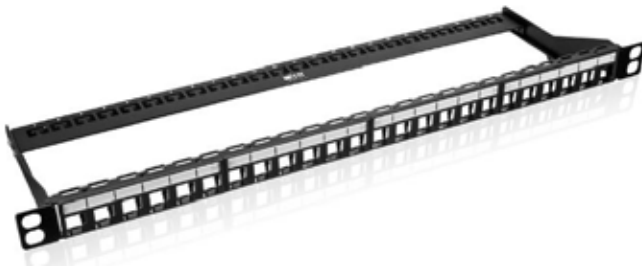




These high-density modular patch panels are designed for all our keystone jack products used in Ethernet and fiber optic installations, which also exceeds ANSI/TIA/EIA-568 C.2 standards. Designed to mount on any 19-inch standard horizontal rack or cabinet, these panels are offered in 24-port and 48-port configurations. A black powder coat finish gives the patch panel a sleek, elegant look.



PCGPPMOHU24HDBK
 PCGPPMO1U48HDBK



Product specifications

Panel characteristics

Support bar (1)	SPCC, 1.5mm thickness with black (RAL 9005) finish	
Rear panel (2)	SPCC, 1.5mm thickness with black (RAL 9005) finish	
Frame (3)	ABS-HB	
Identification (4)	Paper and frame PC, UL 94V-2	
Number of ports	24	48
Effective U space	0.5U	1U
Mounting type	Rack mountable	
Insertion force	30N max (IEC 60603-7-5)	
Retention strength	7.7 Kgs between jack and plug	
Operating temperature	-10°C to 60°C (ISO/IEC 11801, ANSI/TIA/EIA-568-C.2)	

Dimensions

Height (in/mm)	0.875in / 22.2mm	1.75in / 44.4mm
External width (in/mm)	19in / 482.6mm	
Depth (in/mm)	0.50in / 12.8mm	
Depth with support bar (in/mm)	5.91in / 150mm	
Includes	4 M5 x L12mm screw set and plastic ties	

Certifications and Standards

International standards	ANSI/TIA/EIA-568-C.2, ISO/IEC 11801	
-------------------------	-------------------------------------	--

Miscellaneous

MPN	PCGPPMOHU24HDBK	PCGPPMO1U48HDBK
UPC	798302033818	798302033832
Labeling	NEXXT SOLUTIONS	NEXXT SOLUTIONS MODULAR HD
Packaging	Carton box	
Quantity per pack	One unit	
Cuft	2.82 per 15units	1.13 per 6units
Warranty	5-year limited warranty**	

SPCC: Commercial grade, cold rolled steel sheets

