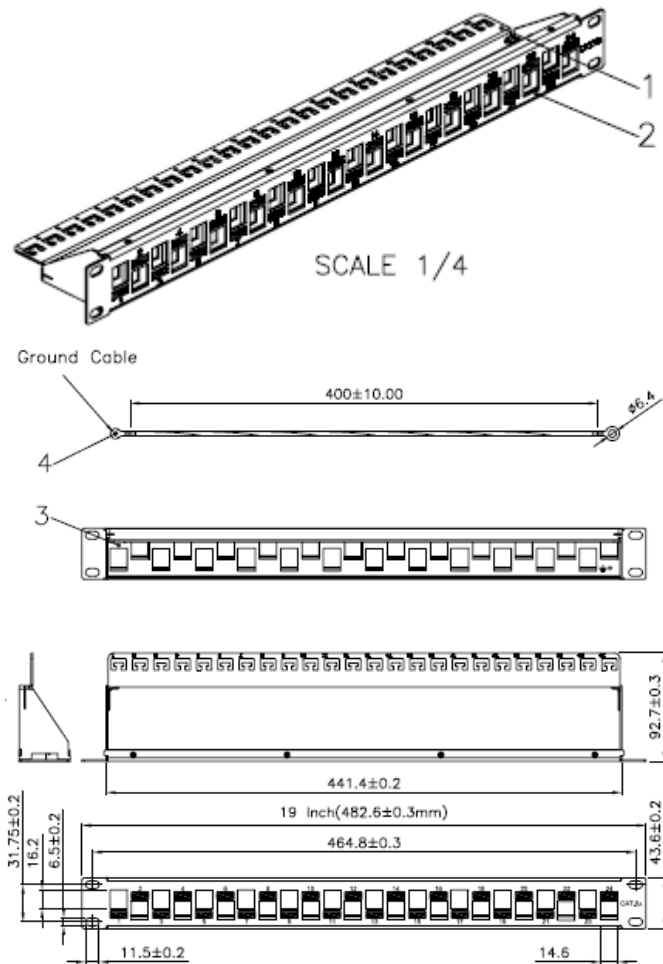


Cat.6A rack mount patch panel
Modular, shielded, keystone frame

This modular patch panel is designed to be used with category 6A shielded connectors used in 10-Gigabit ethernet installations and exceeds ANSI/TIA/EIA-568 C.2 standards. With its protective shielding, crosstalk and electromagnetic interference are virtually eliminated in the unit, protecting vital network terminations. Designed to mount to any standard 19-inch horizontal rack or cabinet, this panel is offered in a 24-port configuration. A black powder painting coat finish gives the patch panel a sleek, elegant look. The patch panel includes an overall metal shield that provides a conductive path to ground that is provided by a 18 AWG terminal green / yellow cable, which meets the requirements of IEEE 802.3af and IEEE 802.3at for Power-over-Ethernet applications (PoE).



NAW-
PNEL6A24





Product specifications

Panel characteristics

No. of ports	24
Front panel	SPCC 1.5mm thickness with Black finish (RAL 9005)
Support bar	SPCC 1.5mm thickness with Black finish (RAL 9005)
Rear panel	SPCC 1.5mm thickness with 5 to 8um nickel finish
Ground cable	18AWG wire, with green/yellow striped color, length 40cm
Panel color	Black varnish paint (RAL 9005)
Effective U space	1U
Mounting type	Rack mounted
Insertion force	30N max (IEC 60603-7-5)
Retention strength	7.7 Kgs between jack and plug
Operating temperature	-10°C to 60°C (ISO/IEC 11801, ANSI/TIA/EIA-568-C.2)

Dimensions

Height	1,75in
External width	19,22in
Depth	3,66in
Includes	4 M5 x L12mm screw set

Electrical characteristics

Voltage rating	300V
Temperature rating	75°C

Certifications and standards

International standards	ANSI/TIA/EIA-568-C.2, ISO/IEC 11801
ETL certificate	101002179CRT-001a

Miscellaneous

MPN	NAW-PNEL6A24
UPC	798302033474
Labeling	NEXXT SOLUTIONS CAT 6A
Packaging	Carton Box
Quantity per bag	1 unit
Cuft	2,82 per 15units
Warranty	5-year limited warranty**

