

1 2 3 4 5 6 7 8

A

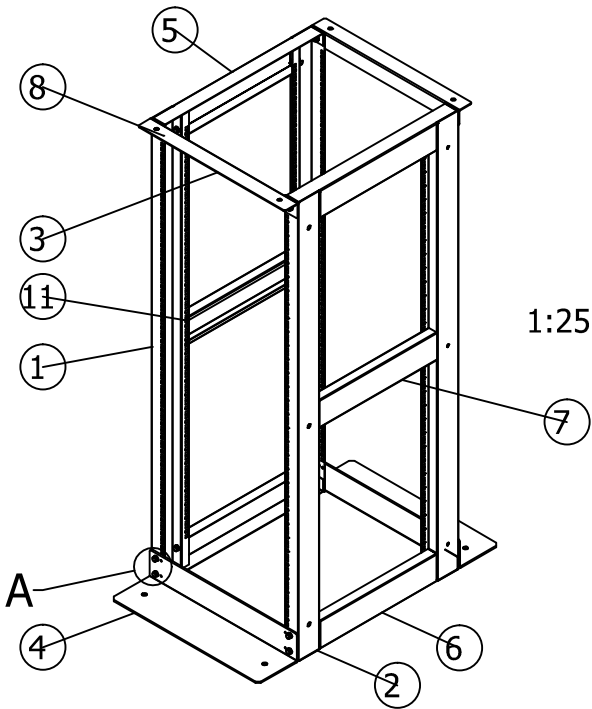
B

C

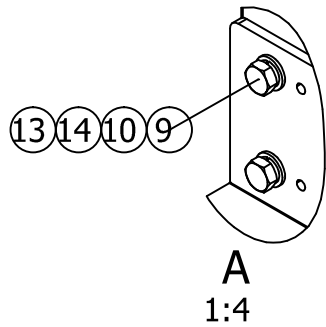
D

E

F



15	PZLS-M10X80	expansion bolt	4		
14	M8_GB6177	Hex nut with flange	20		
13	M8X25_GB5781	hex hap screws	20		
12	M6*12+M6	cage nut	40		
11	M5X12_GB70_2	hexgon socket screws	8		
10	D8_GB97_1	flat washer	20		
9	D8_GB93	coil washer	20		
8	NEXXT_LOGO-1	NEXXT LOGO PANEL	1	SPCC 1.0	
7	D05630T110120-01-7	middle side beam	2	SPCC 2.0	
6	D05630T110120-01-6	bottom side beam	2	SPCC 2.0	
5	D05630T110120-01-5	top side beam	2	SPCC 2.0	
4	D05630T110120-01-4	bottom beam	2	SPHC 5.0	
3	D05630T110120-01-3	top beam	2	SPCC 3.0	
2	D05630T110120-01-2	right mounting rail	2	SPCC 2.0	
1	D05630T110120-01-1	left mounting rail	2	SPCC 2.0	



NEXXT SOLUTIONS			
DATE: JUN 2014		DRAWING: ZARRAGA	
ITEM N°: AW220NXT73			
DES : Open Rack 4 Post 4Ft. 19" Steel Black			
SHEET	2 OF 2	SCALE	1:20

1 2 3 4 5 6 7 8