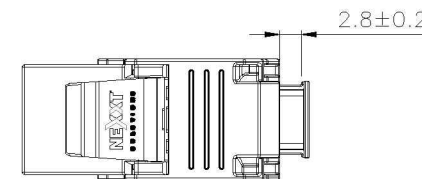
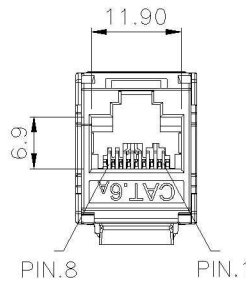
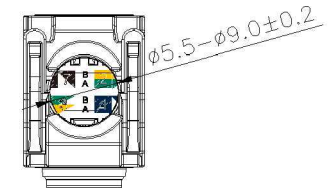
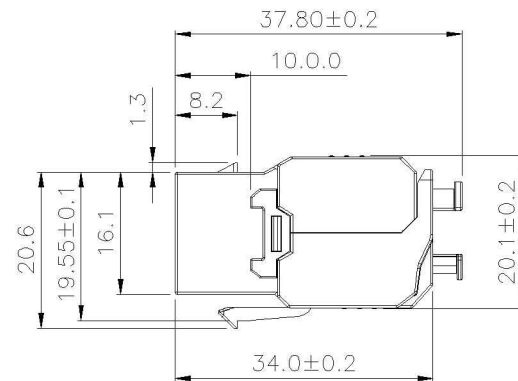
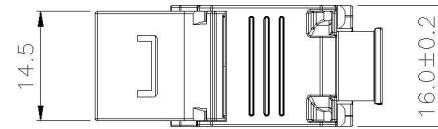


SCALE 1/1



**Specification :**

**Material :**

**1. RJ45 Jack :**

- 1-1. Housing : Zinc Die-Casting with Nickel plated.
- 1-2. Contact Bracket : PC, UL 94-V2, Transparent color.

**2. RJ45 Jack Contact :**

- 2-1. Material : Phosphor Bronze with Nickel plated.
- 2-2. Finish : 50 micro-inch Gold plated on Plug contact area.

**3. Cap A&B : Zinc Die-Casting with Nickel plated.**

**4. IDC :**

- 4-1. Housing : PC+Glass Fiber, Grey color(RAL7035), UL 94-V2.
- 4-2. Terminal : Phosphor Bronze with Tin plated.

**5. Cap For Toolfree : PC+Glass Fiber, White color, UL 94-V2.**

**7. Clip : Stainless Steel.**

**8. Grounding Contact : Zinc Die-Casting with Nickel plated.**

**9. PCB : FR4, UL 94-V0.**

<b>NEXXT</b>		SOLUTIONS	
DATE: JUN 2014		DRAWING: ZARRAGA	
ITEM N°: NAW-KSTO6ASL			
DES : CAT6A Shielded Keystone Jack Dual type			
SHEET	1 OF 1	SCALE	1:1