

1

Thank you for purchasing the new **Nebula 300+** wireless-N router from Nexxt Solutions™. If any of the following items are mismatched, missing or damaged, please contact the merchant from whom you purchased the unit for immediate replacement.

- Wireless-N router
- 100/240V power adapter
- Network cable
- Quick installation guide

2

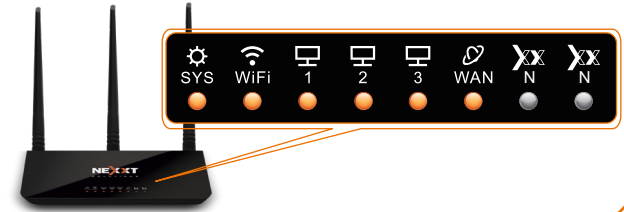
### Preliminary steps

This advanced network device works as a router, wireless AP, and universal repeater. Before setting up the router, you must verify that you have high-speed internet access available. The most widely used connection nowadays is broadband DSL or cable. The description used in this guide is based on that type of connection.

3

### Product layout

**Front panel**  
LED indicators on the front panel provide information about network activity, the connection and link status of the ports in real time. They also facilitate activity monitoring and troubleshooting the performance of the device.



4

LED indicator	Status	Description
SYS	Blinking	The system is working properly
	Off	No power is being supplied to the router or the device is malfunctioning
WiFi	Solid	The Wi-Fi radio is enabled
	Blinking	The device is actively sending or transmitting data using wireless link
	Off	The Wi-Fi radio is disabled
LAN 1-3	Solid	The link between the router and a device is established through that port
	Blinking	The device is actively sending or transmitting data over that port
	Off	No link is detected on that port

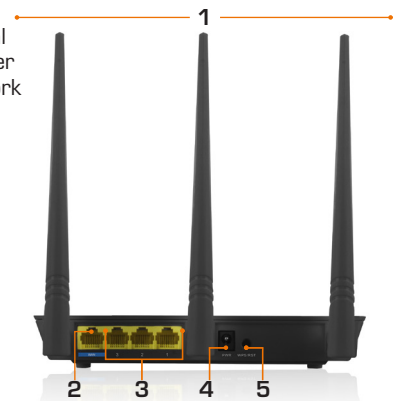
5

LED indicator	Status	Description
WAN	Solid	The link between the router and a device is established through that port
	Blinking	The device is actively sending or transmitting packets over that port
	Off	No ethernet cable is connected to that port
N	N	There is no function or indication associated with this LED
	N	There is no function or indication associated with this LED

6

### Back panel

The rear panel provides the physical connectors for power and the client network devices.



7

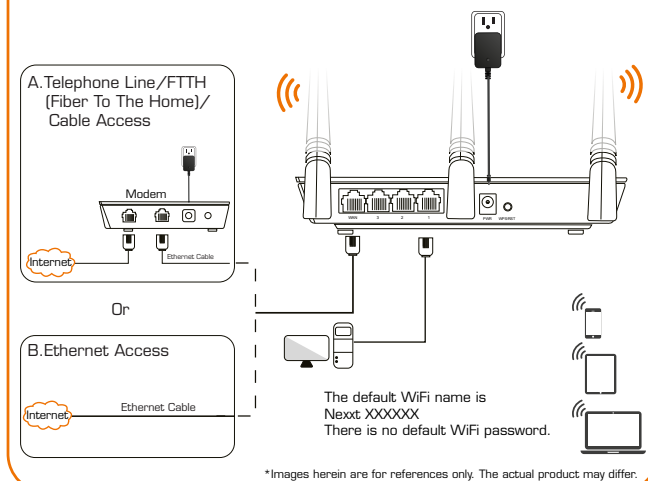
- 1. Antennas:** Three high-gain 5dBi omnidirectional antennas.
  - 2. WAN port:** This RJ45 port is where you will connect the DSL/cable modem, or ethernet line.
  - 3. LAN ports (1/2/3):** Connect 10/100Mbps ethernet devices such as computers, switches, and hubs to any of these RJ45 ports.
  - 4. Power:** Connect the supplied power adapter to this jack.
- 5. WPS/Reset:**
- Press this button for about one second to enable WPS encryption. Within two seconds, enable the WPS feature on the client device to establish a connection.
  - Press this button for about eight seconds to restore the device to its factory default settings. All LED indicators will light up.

8

### Hardware installation

1. Power off your PC, cable/DSL modem and the router.
2. Find the optimum location for the router. The best place is usually at the center of your wireless network with the antennas in the upright position.
3. Connect one end of the supplied power adapter to the AC input jack located on the rear panel of the router, before plugging the other end to a standard electrical wall outlet.
4. Connect your network devices to the LAN ports of the router. Then using an ethernet cable, connect your modem to the WAN port in order to gain internet access.
5. Finally, power on the router; your PC and modem.

9



10

### Router configuration

1. Log into the router by accessing the web base utility. To do so, in the browser's address field enter the default address **http://192.168.0.1** or **http://www.nexxtwifi.local**

**Note:** To access the router wirelessly, look for the SSID, **Nexxt\_XXXXXX** (whereby **X** represents the last 6 numbers of the MAC address).

11

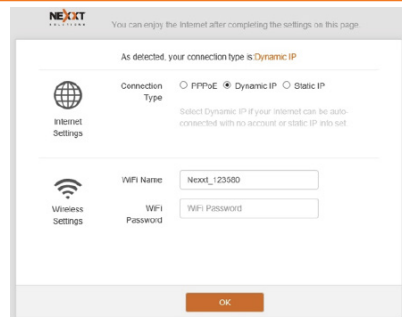
2. In this stage, the wireless router web interface will come up. The system will then prompt you to enter the default password. Type **admin** and click **Login** to continue.



12

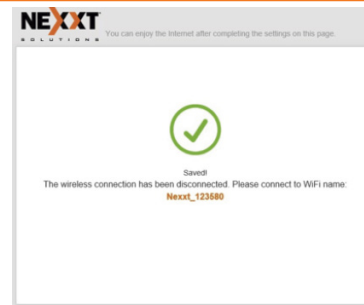
3. Next, the Basic settings page will be displayed. In this window, you will be prompted to select the Internet **Connection Type**, which will depend on the type of connection offered by your existing Internet Service Provider (ISP): PPPoE, for dial-up or DHCP for other broadband connections. You can also set it up to use a Static IP configuration. By default, the router will auto-detect the connection type and set it to the corresponding configuration. You can also setup the wireless password and SSID under the **Wireless Settings** area (by default, this is **blank**). For security purposes, we recommend using a security key at this stage. It must contain at least 8 characters. Click **OK** to complete the initial set up of the router.

13



4. Once complete, you will get a successful setup message. If the SSID and password were changed in the previous step, you will need to access the router using the newly assigned parameters.

14

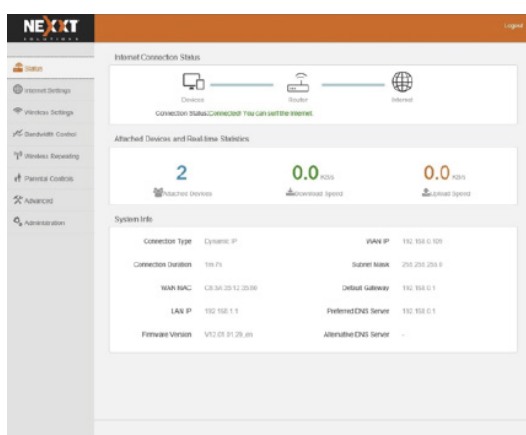


5. If the computer you used to set up the router can access the internet, it means that you have successfully configured the device, and that other computers in the LAN should also be able to do the same. If they don't, verify that the Internet Protocol is set to obtain the IP and DNS settings automatically.

15

To do so, right click **Network > Properties > Change adapter settings**, followed by **Local area connections > Properties**. Next, double click on **Internet protocol version (4 or 6 based on your connection)** and finish by selecting **Obtain DNS server and IP address automatically**. Please note that the path indicated above relates to Windows 7. Other operating systems may differ, so make sure to follow the instructions of the operating system you are using. If you later wish to customize your wireless router's configurations, login to the router and click on the corresponding menu options you desire to customize.

16



17

#### FCC statement

This device complies with Part 15 of the FCC Rules. Operation is subject to the following two conditions: (1) This device may not cause harmful interference, and (2) this device must accept any interference received, including interference that may cause undesired operation.

This equipment has been tested and found to comply with the limits for a Class B digital device, pursuant to Part 15 of the FCC Rules. These limits are designed to provide reasonable protection against harmful interference in a residential installation. This equipment generates, uses and can radiate radio frequency energy and, if not installed and used in accordance with the instructions, may cause harmful interference to radio communications. However, there is no guarantee that interference will not

18

occur in a particular installation. If this equipment does cause harmful interference to radio or television reception, which can be determined by turning the equipment off and on, the user is encouraged to try to correct the interference by one of the following:

- Reorient or relocate the receiving antenna.
- Increase the separation between the equipment and receiver.
- Connect the equipment into an outlet on a circuit different from that to which the receiver is connected.
- Consult the dealer or an experienced radio/TV technician for help.

19

#### Caution!

Any changes or modifications not expressly approved by the party responsible for compliance could void the user's authority to operate the equipment.

This transmitter must not be co-located or operated in conjunction with any other antenna or transmitter. The manufacturer is not responsible for any radio or TV interference caused by unauthorized modifications to this equipment.

20

#### Radiation exposure statement

This equipment complies with FCC radiation exposure limits set forth for an uncontrolled environment. This equipment should be installed and operated at a minimum distance of 20cm between the radiator and your body

FCC ID: X4YNBL300P